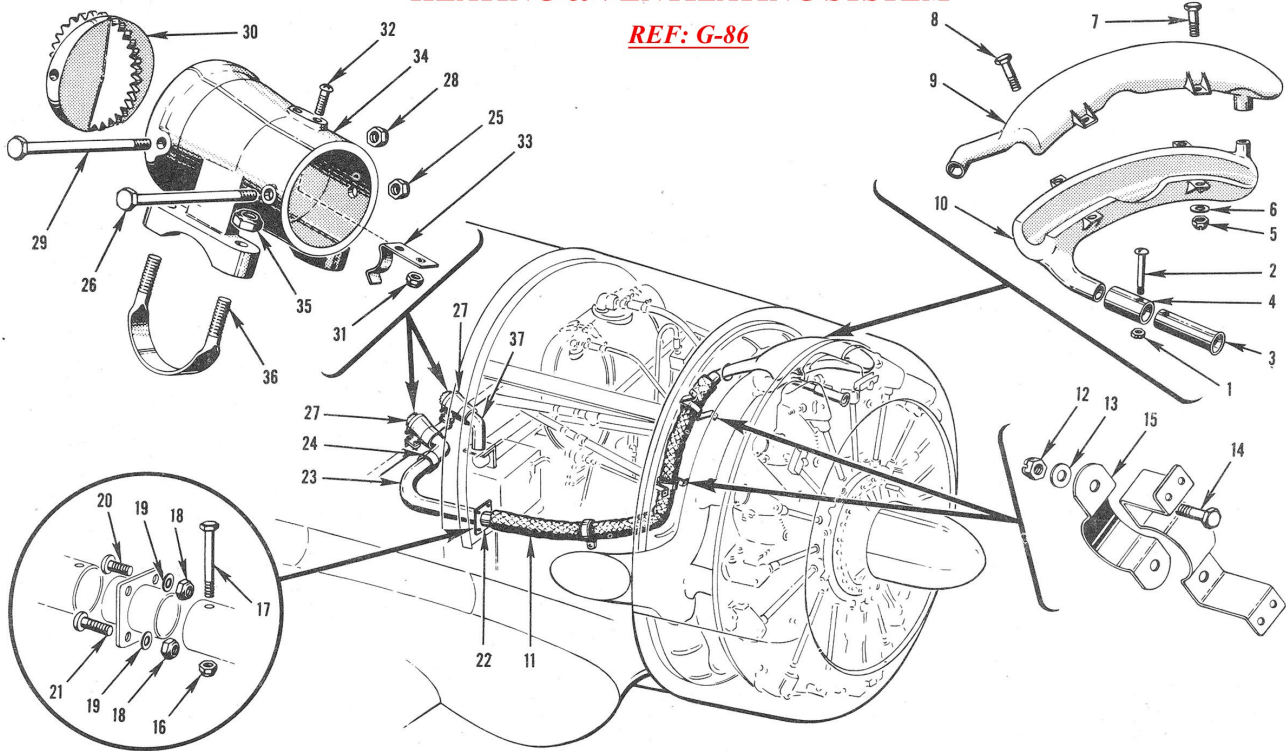


# Lance Aircraft Supply Catalog

## 1-800-752-4005

### HEATING & VENTILATING SYSTEM

REF: G-86



### BATTERY EQUIPMENT

REF: G-71

